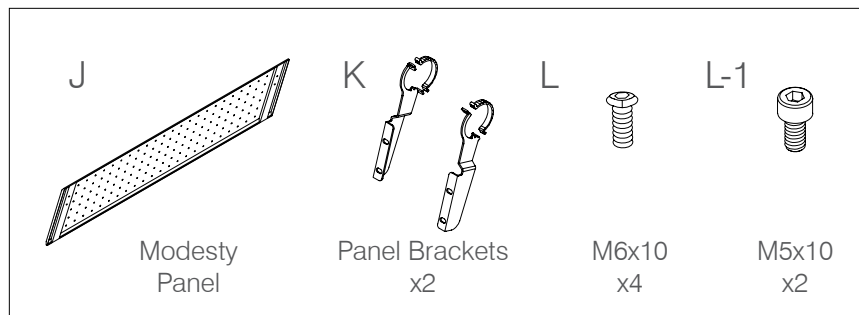
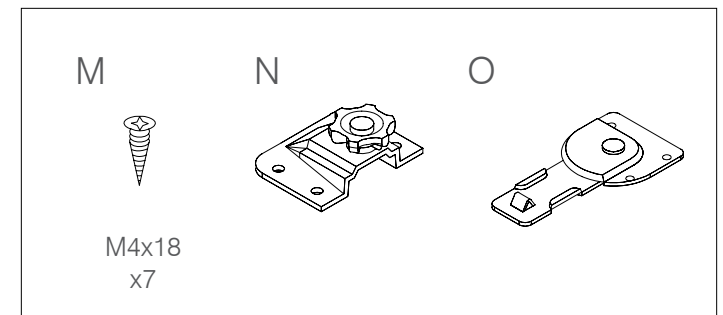


OPTIONAL (Modesty Panel)



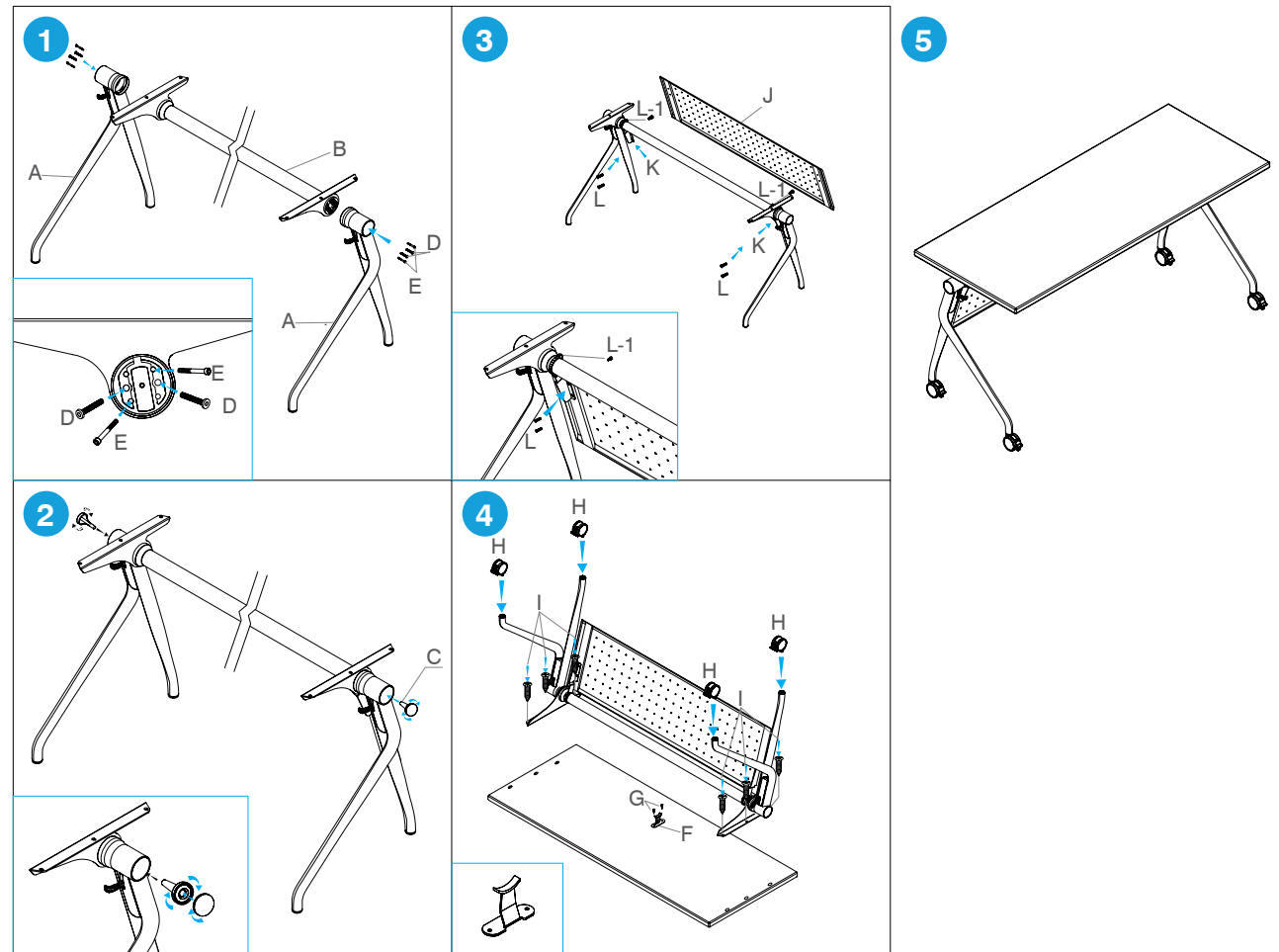
OPTIONAL (Ganging Device)



1. Select one leg (A) and attach it to the middle frame (B) with one of the D screws. Tighten a bit but not completely. Insert a second D screw and loosely tighten. Now tighten both (D) screws completely. Next, tighten the (E) screws in the same method you used for the (D) screws, leaving loose until all 4 are in place and then tightening. Repeat with the other leg.
2. Twist to insert the (C) push button bracket, followed by the button cover. Repeat on the other side.

If installing Modesty Panel:

3. Connect the Panel Brackets (K) to the middle frame (B), locking it with the (L-1) screws (x2). Connect the Modesty Panel (J) and panel brackets with the (L) screws (x4).
4. Turn the work surface upside down and center align the Worksurface Support (F) using the (G) screws (x2). Now turn the leg and middle frame assembly upside down. Attach the worksurface to the cantilevers of the frame assembly using the (I) screws (x6). Insert the castors firmly into the legs until locked in place.
5. Turn your finished CONCUR table over to use.



GANGING DEVICE

